

Potting Bench

IMPORTANT, RETAIN FOR FUTURE REFERENCE: READ CAREFULLY.

Check all parts are present prior to assembly.

- Always pre-drill timber to avoid splitting.
- The timber in this product is pressure treated to ensure longevity and protection against rot. This may leave a colour variations, but these will even out as the moisture content stabilises.
- Timber is a natural material and will shrink and swell as a result of varying moisture content.
- Keep all plastic bags and parts away from children.

Technical Help line: 0333 7777 089 8:30am - 5.00pm Monday to Friday

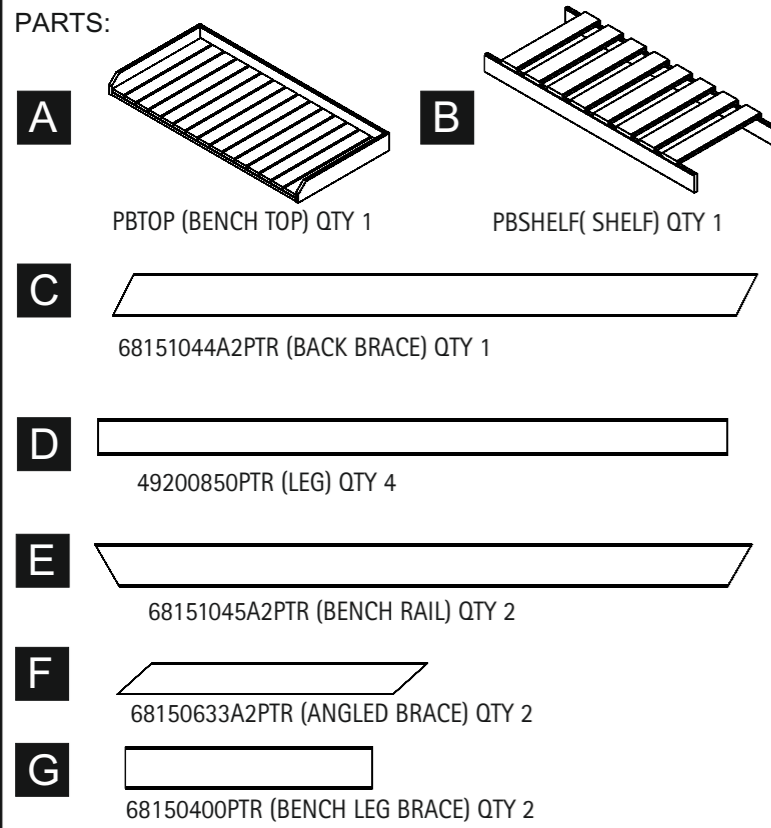
In line with your statutory rights, please check all parts prior to assembly, as assembly of damaged parts may be deemed to be acceptance and this may affect the remedies you are entitled to. If the product is not constructed in accordance with the instructions, or is altered in anyway (e.g. painted), the manufacturer cannot be held liable for any resulting damage.

This article contains biocidal products to give protection against wood destroying insects & wood rotting fungi. Contents may vary.
 May contain : Basic copper carbonate (Copper (II) carbonate – Copper (II) hydroxide (1:1), Cupric oxide, Copper hydroxide carbonate, oxyethyl, ammoniumpropionate, Copper HDO, Propiconazole, Tebuconazole, Boric acid, Benzalkonium chloride.
 Wear gloves when handling freshly treated wood. Avoid breathing dust when cutting treated or untreated wood. Dispose of off-cuts responsibly – do not burn.

REQUIRED TOOLS : (NOT SUPPLIED)



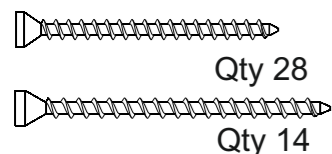
PARTS:



(FIXING PACK) PBFP

Not to scale

For further information

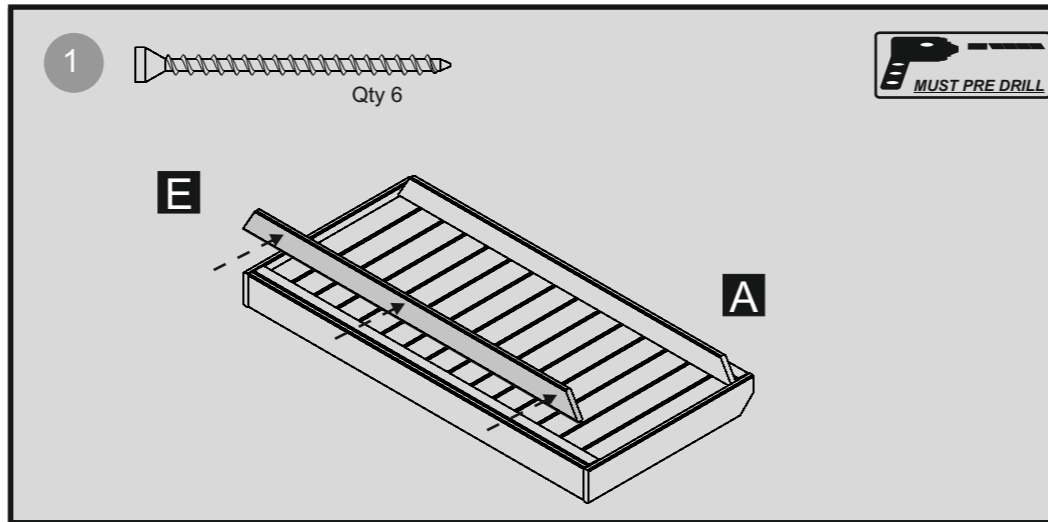


30mm

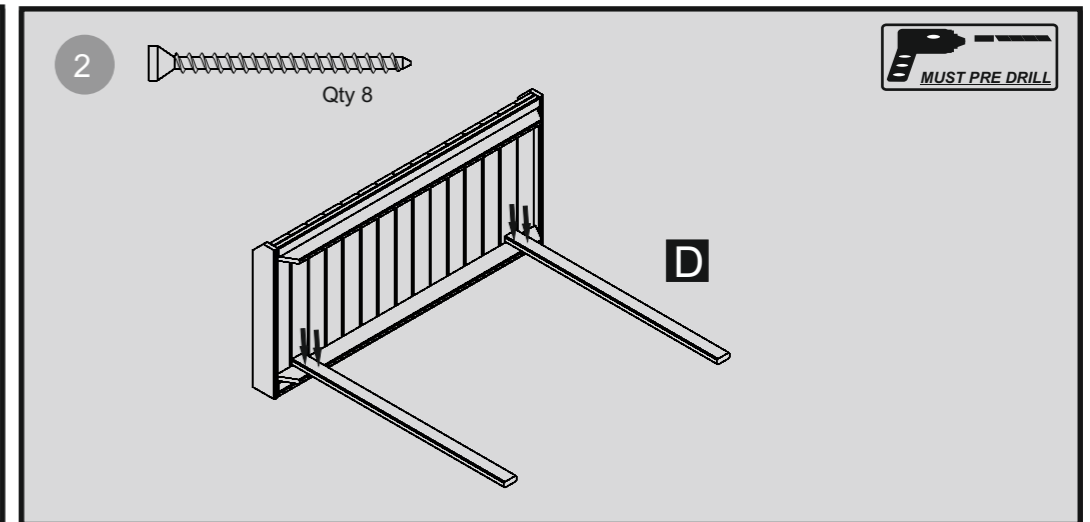
40mm



www.forestgarden.co.uk

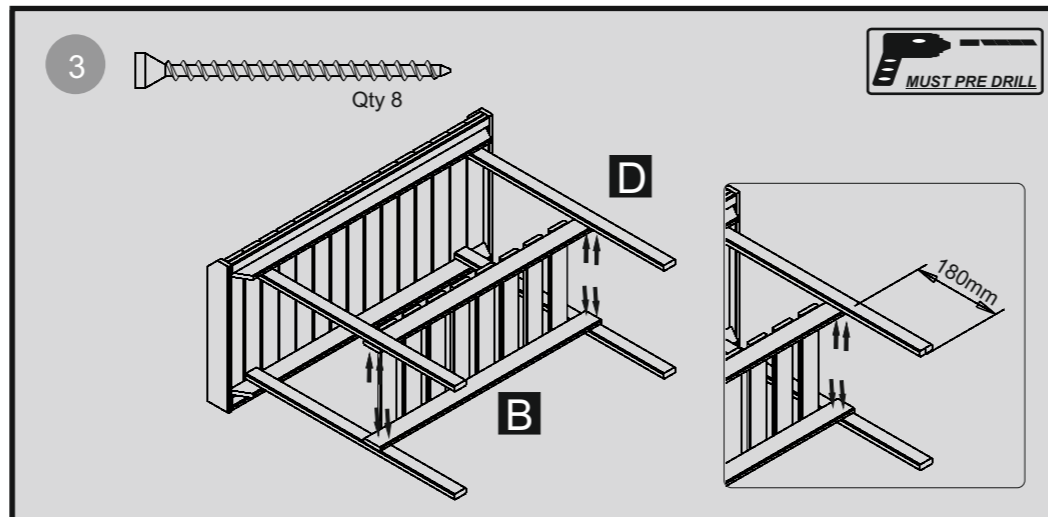


Place the bench rail against the batten on the underside of the bench top. Secure in place using 3 x 40mm screws for each.

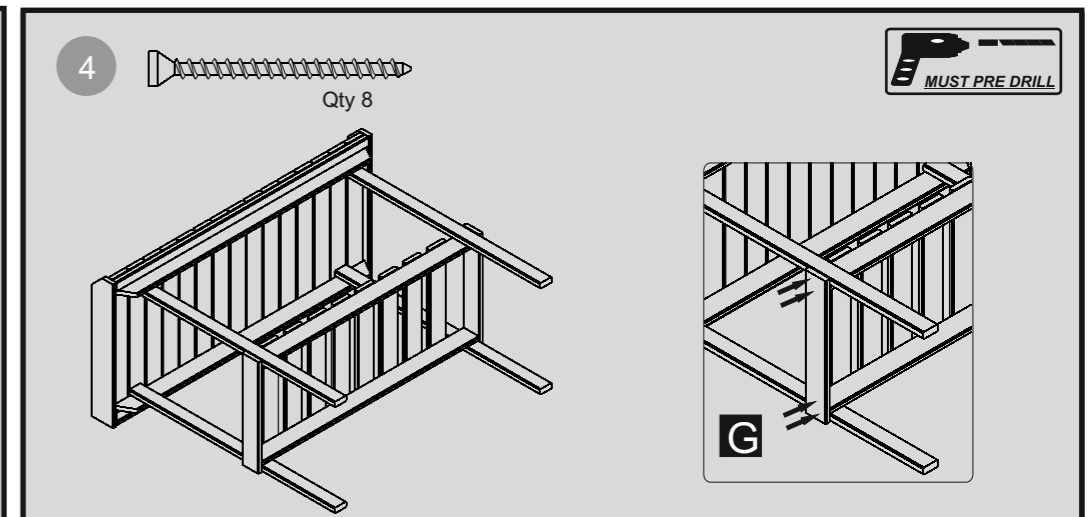


Place the potting bench top on its back and place two of the legs 800mm apart making sure there is equal spacing on either side. Fix in place by using 2x30mm screws for each leg, screwing into the bench rail on the underside of the bench top.

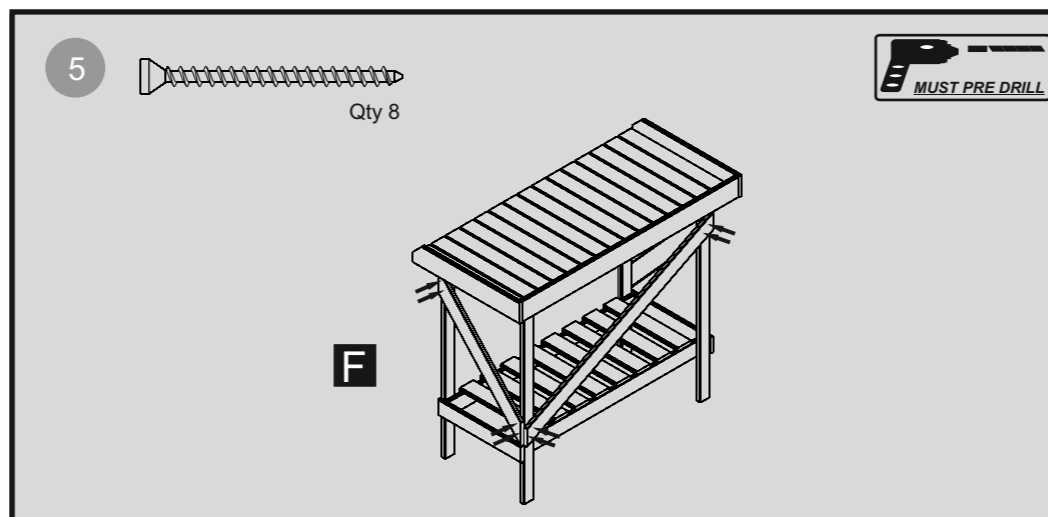
Turn the assembly over and repeat the step for the other side



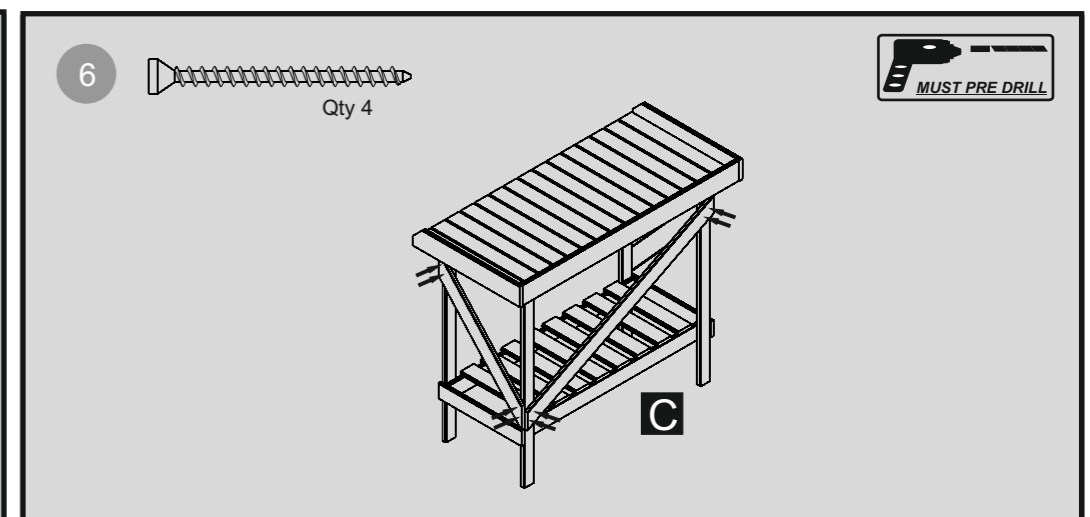
Place the shelf inside the legs and 180mm from the base as shown. Secure the shelf in position, screwing from the inside using 2x40mm screws for each leg.



Place the bench leg braces across each end of the assembly so they are in line with the shelf. Fix the brace to the posts using 2x30mm for each post.



Place both of the angled braces on either side of the potting bench as shown. Make sure they are flush with the outside of the legs. Secure using 2x30mm for each end.



Place the back brace on the back of the potting table in the same manner you have just done for the small braces. Use 2x30mm screws for each end.