

# Grange

DEFINING GARDENS

## HERB WHEEL PLANTER

HERBWH - 14cm [H] x 107cm [W] x 96cm [D]



Self-Assembly required



Home Delivery available



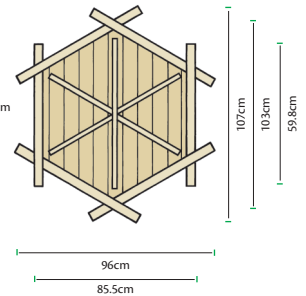
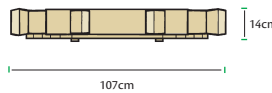
CODE HERBWH

©2016 Grange Fencing Ltd  
All rights reserved.  
In line with the Company's policy of continuous product development, the right is reserved to change and improve product design without prior notice.  
All products and related emblems featured are trademarks of Grange Fencing Ltd.

[www.grangefen.co.uk](http://www.grangefen.co.uk)



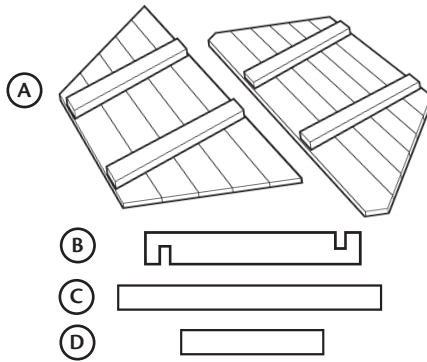
### PLAN



# ASSEMBLY INSTRUCTIONS

HERB WHEEL

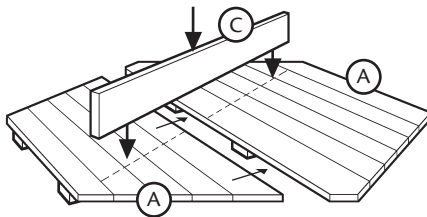
PRESSURE TREATED GREEN



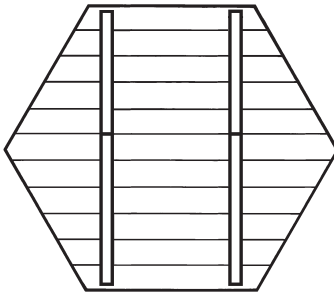
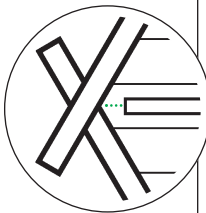
## PARTS LIST

- (A)** Base Sections x 2
- (B)** Side Panels x 6
- (C)** Section Divider x 1
- (D)** Section Dividers x 4
- [x]** 40mm roundhead nails x50

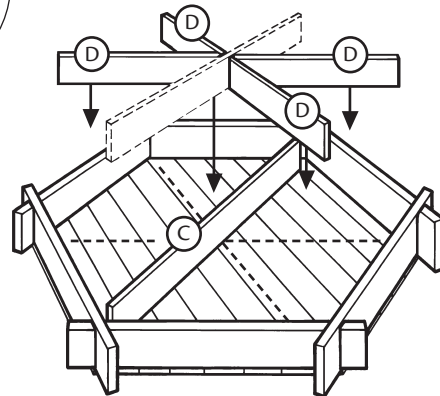
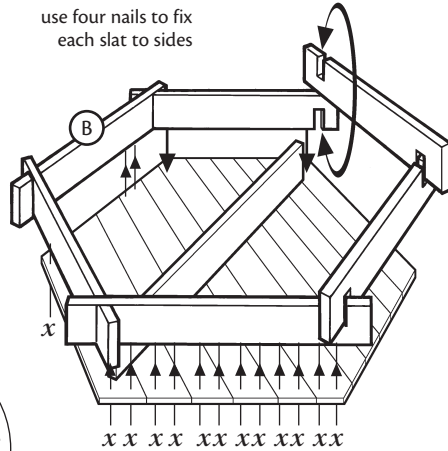
join the two base sections (A) using the Central Section Divider (C)



allow a 1.6cm gap between the planter walls and each Section Divider



use four nails to fix each slat to sides



**Tools Required:** Hammer