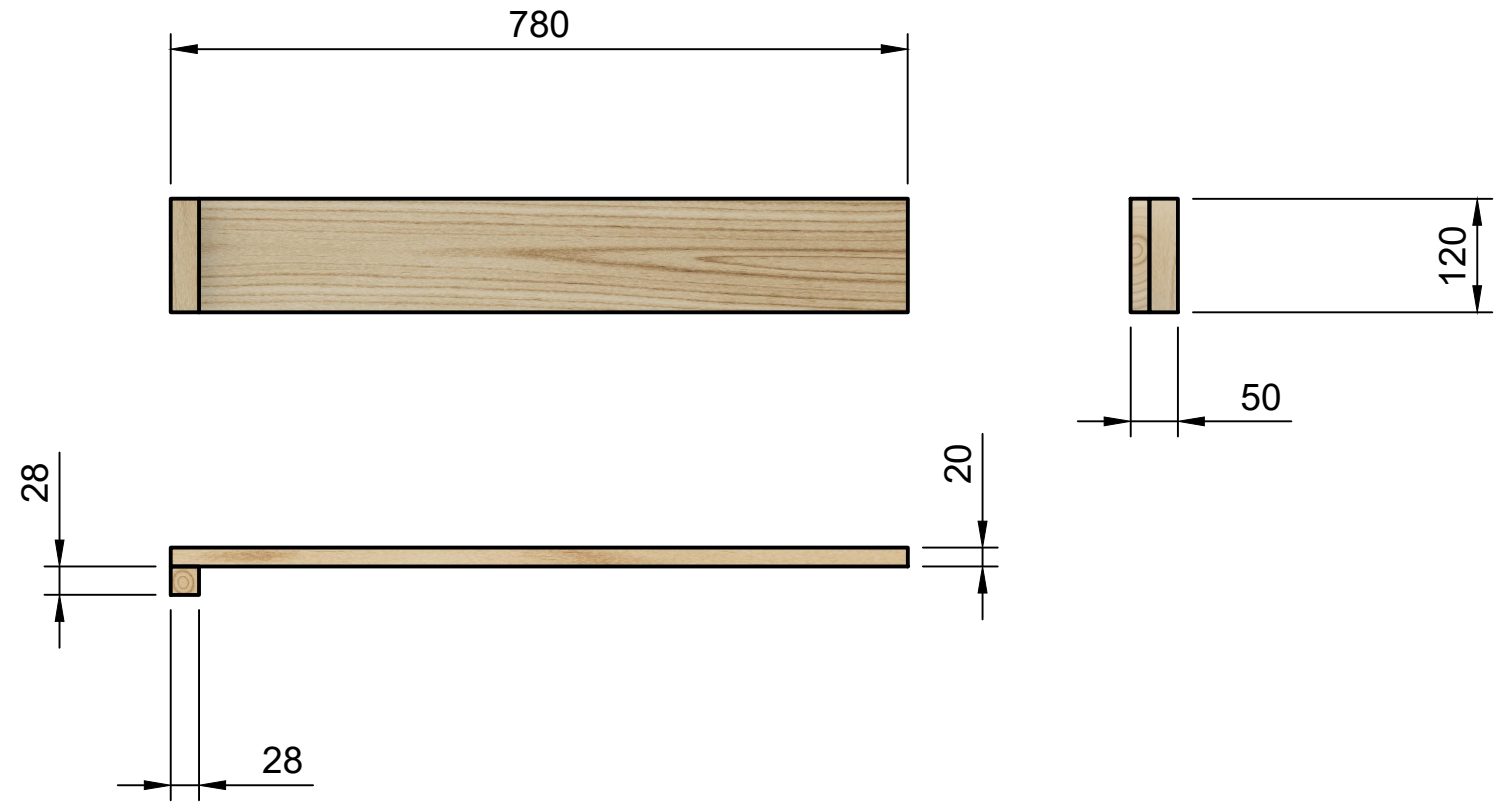
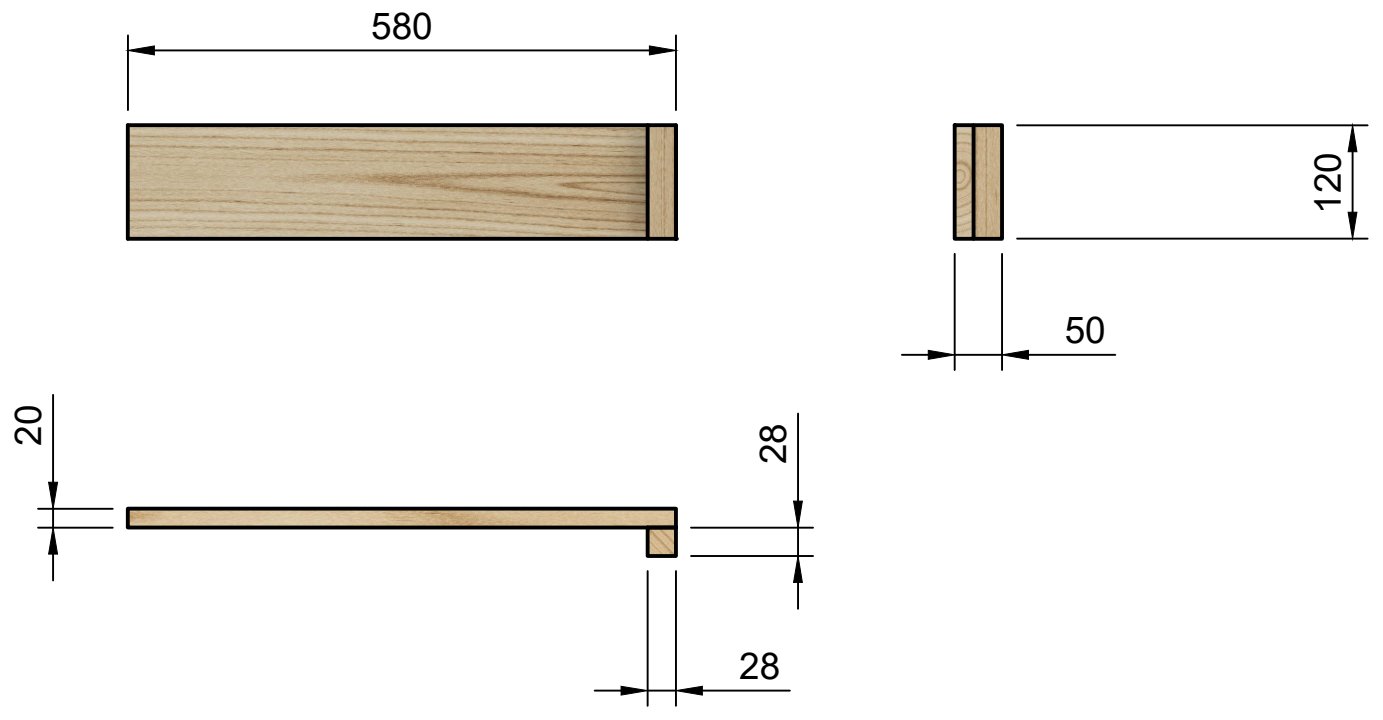


Dept.	Technical reference	Created by <b>Charlotte Tatlow 06/11/2019</b>	Approved by	
		Document type	Document status	
		Title <b>Diamond Square Planter Scale</b>	DWG No.	
		Rev.	Date of issue	Sheet <b>1/3</b>

PART A - PANEL x4

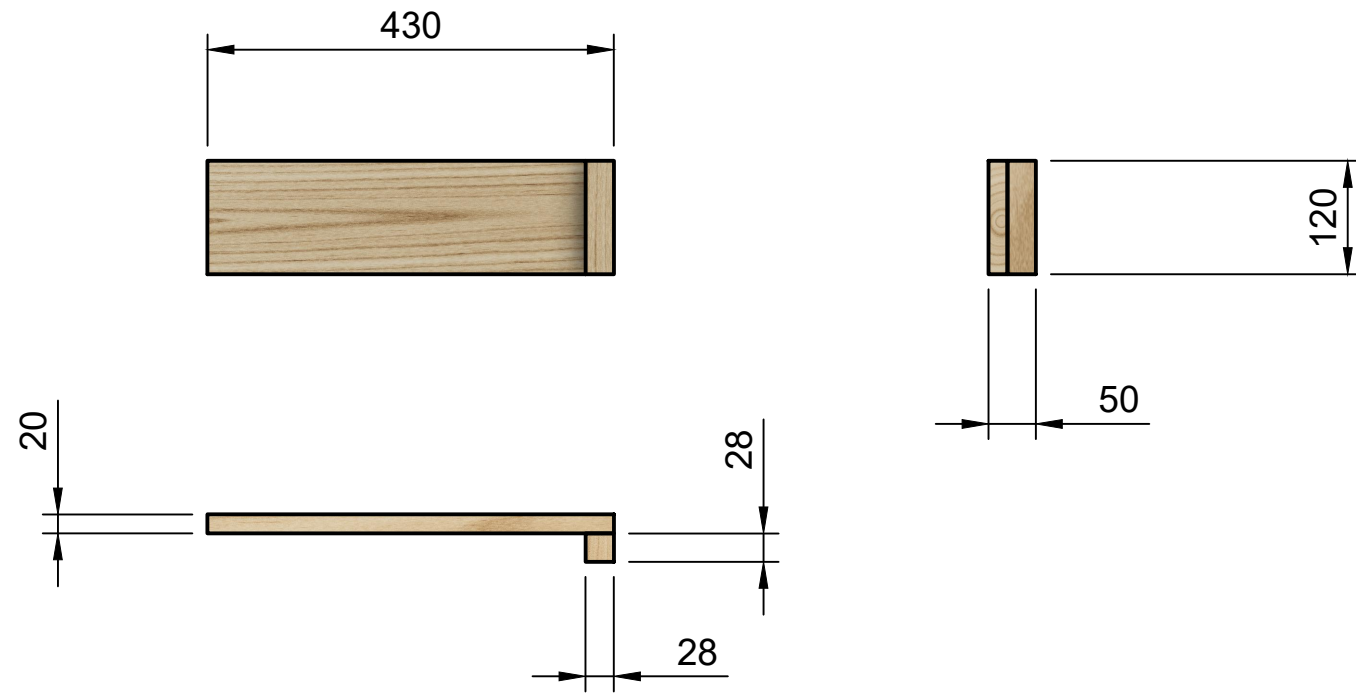


PART B - PANEL x4

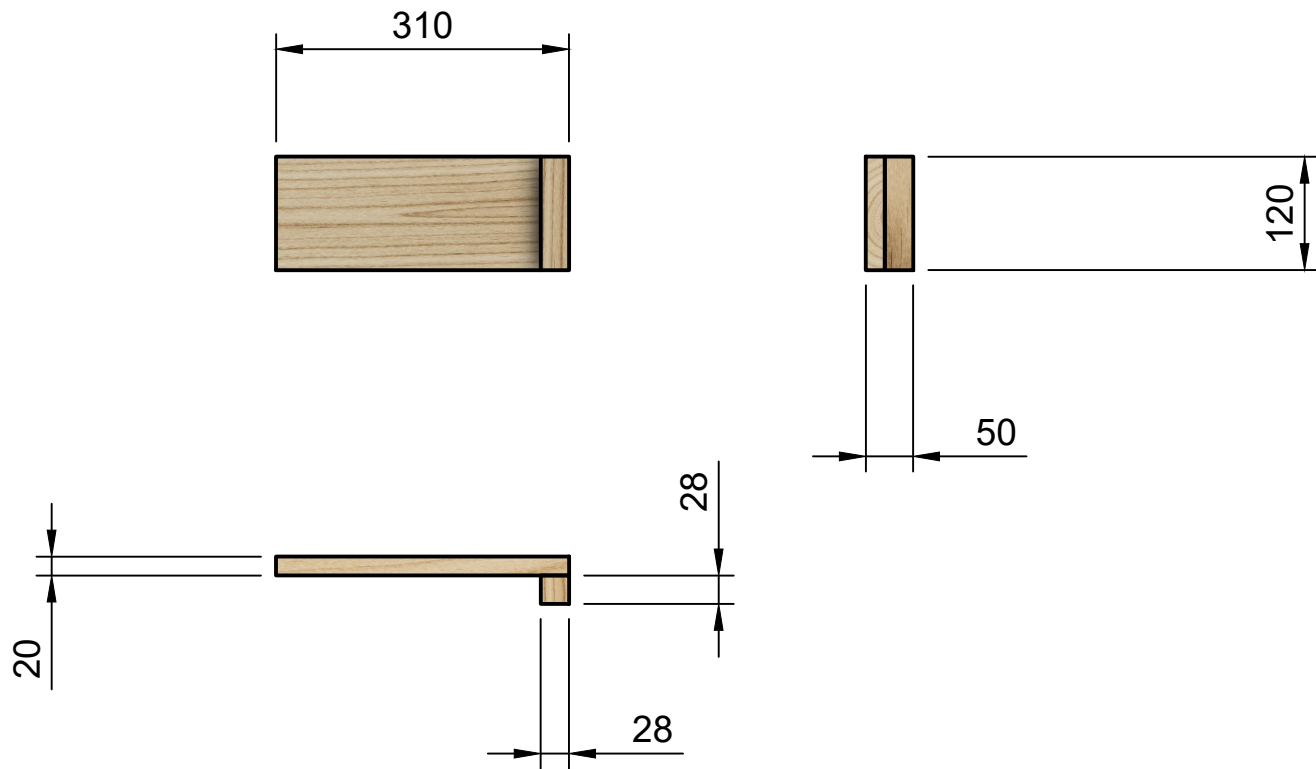


Dept.	Technical reference	Created by <b>Charlotte Tatlow 06/11/2019</b>	Approved by	
		Document type	Document status	
		Title <b>Diamond Square Planter Scale</b>	DWG No.	
		Rev.	Date of issue	Sheet <b>2/3</b>

PART C - PANEL x4



PART D - PANEL x4



Dept.	Technical reference	Created by <b>Charlotte Tatlow 06/11/2019</b>	Approved by
		Document type	Document status
		Title <b>Diamond Square Planter Scale</b>	DWG No.
Rev.	Date of issue	Sheet <b>3/3</b>	