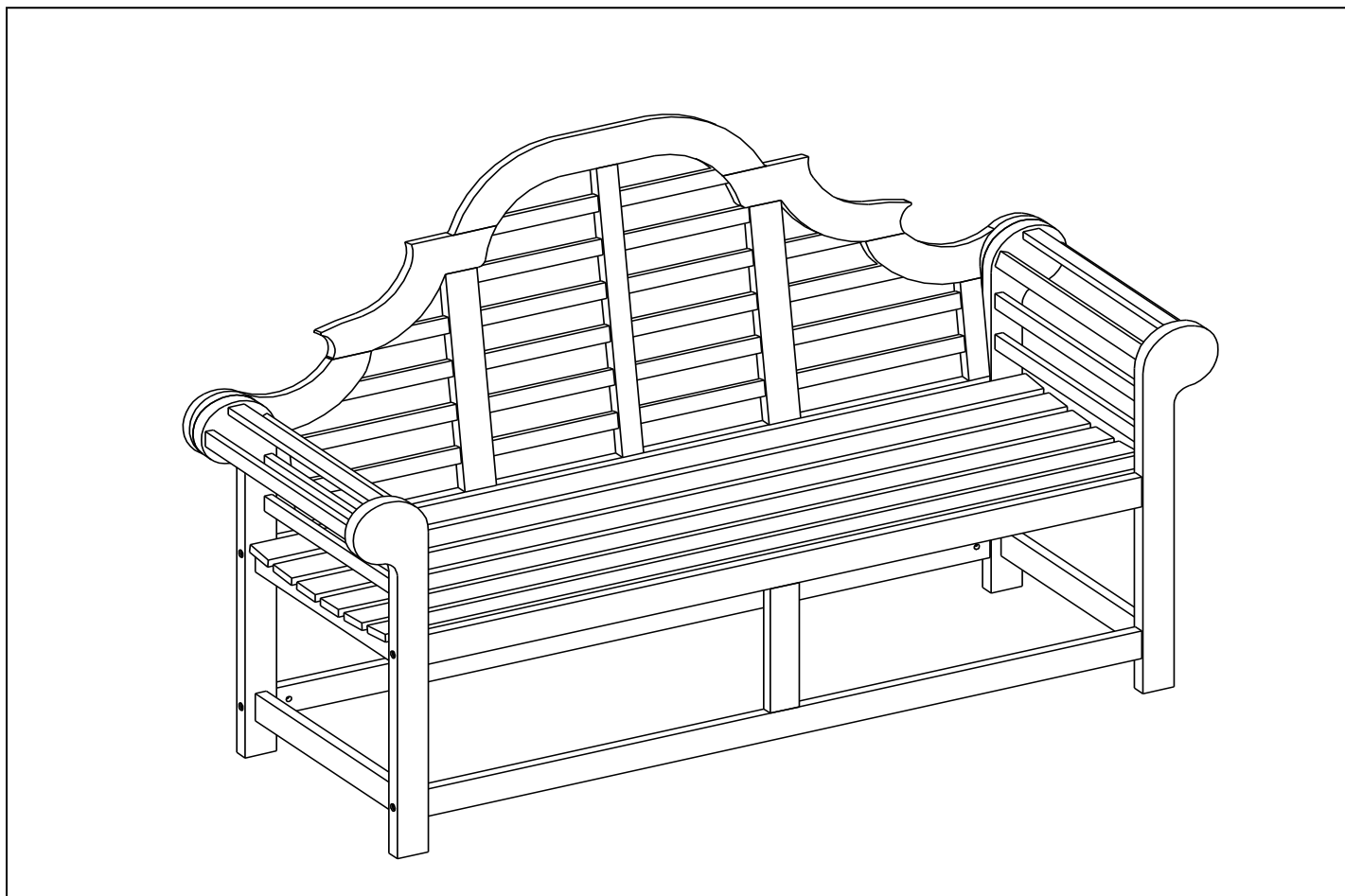


## 2 Seater Lutyens Bench Assembly Instructions

Thank you for purchasing this 2 Seater Lutyens Bench 165x67x105cm. Please read the instructions carefully before use to ensure safe and satisfactory operation of this product

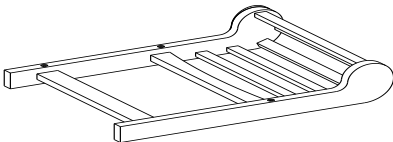
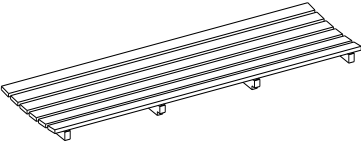
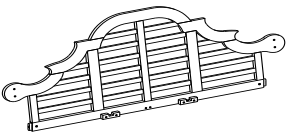

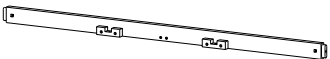

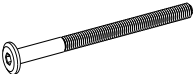
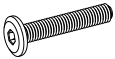
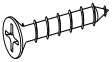
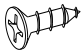

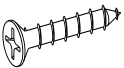


If you need help with assembly or missing parts please call our customer care team on: 01344 578 000  
9am-5pm Monday to Friday.

## Component Parts

Please check if you have all the parts as listed below.

**Note:** The quantities below are the correct amount to complete the assembly. In some cases more fittings may be supplied than are required.

Component Check list		
A		Side Frame x 2 (L&R)
B		Seat x 1
C		Seat Back x 1
D1		Long Cross Bar x 2
D2		Long Cross Bar x 1
E		Short Cross Bar x 2
Hardware Check list		
F		6x90 Bolt x 8
G		6 x 35 bolt x4
H		4x25 Screw x 4
I		4x15 Screw x 8
J		Allen Key x 2
K		4x40 Screw x 4
N	Head screw driver	<b>Not</b> provided in the hardware pack

### Assembly Requirements

Number of people required to assemble	2
Approximate assembly time	40 minutes

If you need help with assembly or missing parts please call our customer care team on: 01344 578 000  
9am-5pm Monday to Friday.

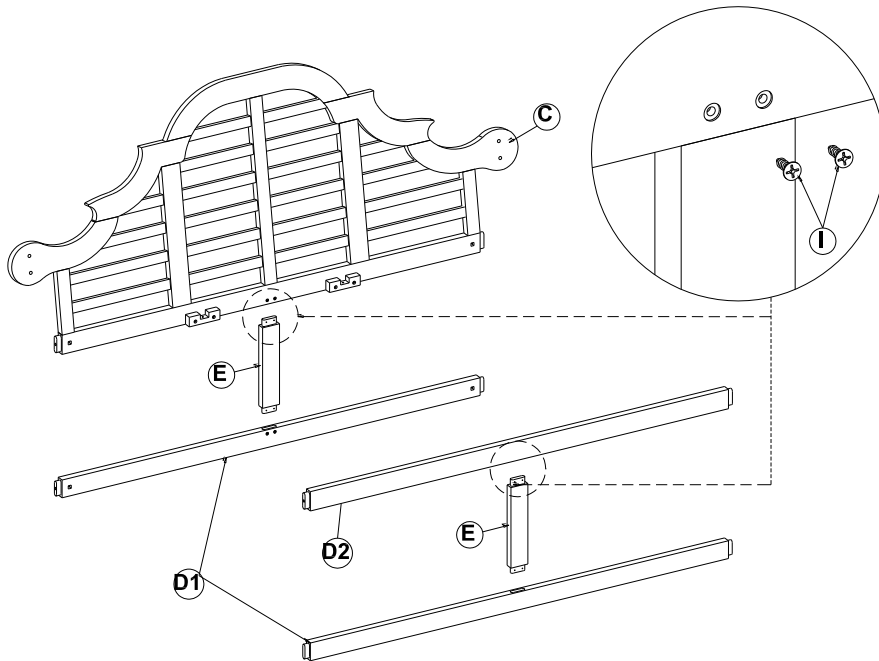
## Assembly Instructions

### Step 1

Place the Bench on a flat, clean, dry & smooth surface that will not scratch the furniture.

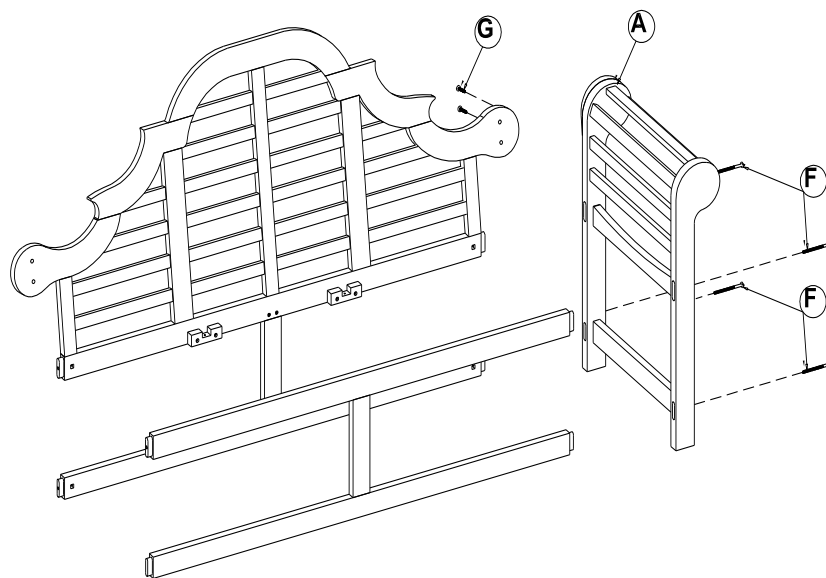
Attach the Seat Back (C) and 1 x Long Cross Bar (D1) to 1 x Short Cross Bar (E) by using 4 x Screw (I). Tighten the bolts by using the Head screw driver (K) (**not provided in the hardware pack**), but **DONOT** fully tighten the bolts at this stage

Attach 2 x Long Cross Bar (D,D2) to 1xShort Cross Bar (E) by using 4 x Screw (I). Tighten all the bolts using the Head screw driver (K) (**not provided in the hardware pack**)



### Step 2

Attach Side Frame (A) to the Long Cross Bar (D1, D2) and Seat back by using 4 x Bolt (F). Tighten the bolts by using the Allen Key (J), but **DONOT** fully tighten the bolts at this stage.

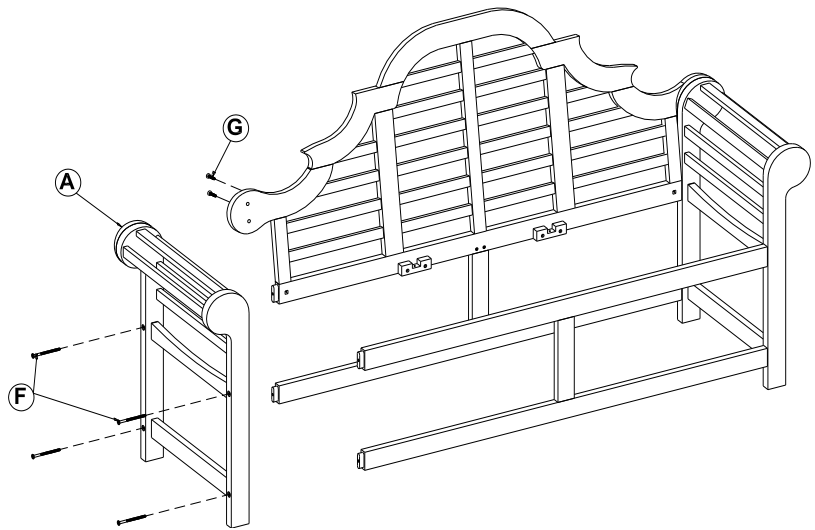


If you need help with assembly or missing parts please call our customer care team on: 01344 578 000  
9am-5pm Monday to Friday.

### Step 3

Align the remaining Side Frame (A) with the constructed frame as shown in the diagram.

Use 4 x Bolt (F) to connect the Side Frame (A) to the Crossbar (D) and the Seat Bench (B). Tighten all the bolts using the Allen Key (H)



### Step 4

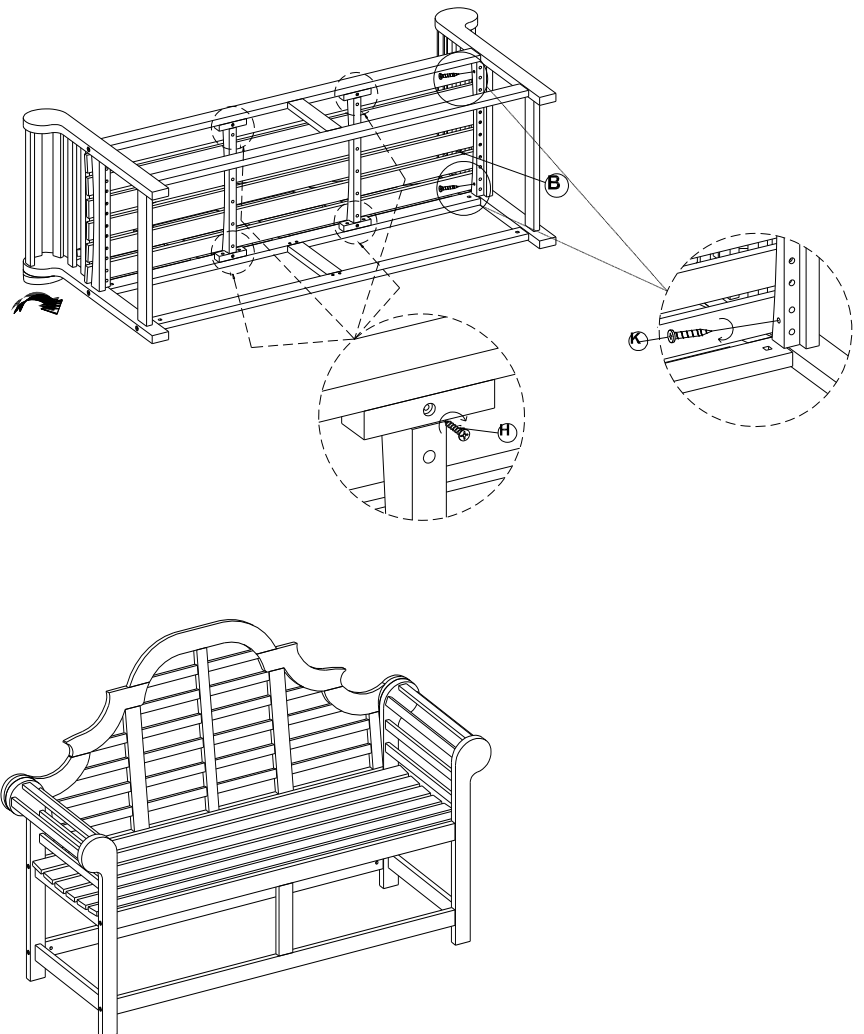
With the help of another person, carefully turn the bench the right way up, taking care not to pivot on the legs. Place the bench on an even level surface ensuring that each legs in full contact with the ground.

Use the 4 x Screw (H) to connect the Seat (B) and block on back (C) and Long Cross Bar (D2) .

Use the 4x Screw (K) to connect Seat (B) and side frame(A). Use a Cross Head screw driver (N) (**not provided in the hardware pack**) to tighten all screws.

Ensure that all bolts and screws are fully tightened.

The bench is now ready to use.



If you need help with assembly or missing parts please call our customer care team on: 01344 578 000  
9am-5pm Monday to Friday.

## Wood Furniture

This product is made from Eucalyptus FSC and has been painted and sealed with PU paint, suitable for outdoor use.

Wood displays different grain patterns depending on which way they cut-for example, the medullary ray which can appear on oak furniture is a mark of good quality timber- these are just characteristics of the natural beauty of the wood. Some furniture is also deliberately aged and rustic.

All timber surfaces will change colour and mellow overtime. New furniture will initially vary in shade from items that have been previously purchased.

## Safety and Care Advice

**To extend the product life** and appearance it is advisable to store the furniture in a cool dry place over winter or during periods of unseasonal weather. Ensure that the furniture is clean and completely dry before putting in to storage. **DONOT** enclose the product in a plastic or other non-permeable material as this promotes the growth of mildew and mould. Cover it with adjust sheet or furniture cover allowing the air to circulate around it

In order to enhance the life of your bench clean regularly with a very mild warm soapy solution to remove dirt and grease and acidic animal droppings. Do not use strong detergents. Do not jet spray the furniture to avoid damaging the paint finish. You may experience some minor surface cracking as the timber expands and contracts in times of changes of humidity but these will not affect the structural performance of your bench

## Important safety note

- Never drag furniture when moving it, always slit it.
- Periodically check all fixings to ensure none have come loose and re-tighten where necessary.
- Please take care when handling or moving the furniture as careless handling may cause damage or injury
- Ensure that the furniture is always on a solid and level surface and the legs are in contact with the ground at all times.

### **DO NOT:**

- Use the bench as a ladder
- Stand or jump on the Bench
- Sit on the arms or back of the Bench

**PLEASE KEEP THESE INSTRUCTIONS FOR FUTURE REFERENCE**

---

If you need help with assembly or missing parts please call our customer care team on: 01344 578 000  
9am-5pm Monday to Friday.