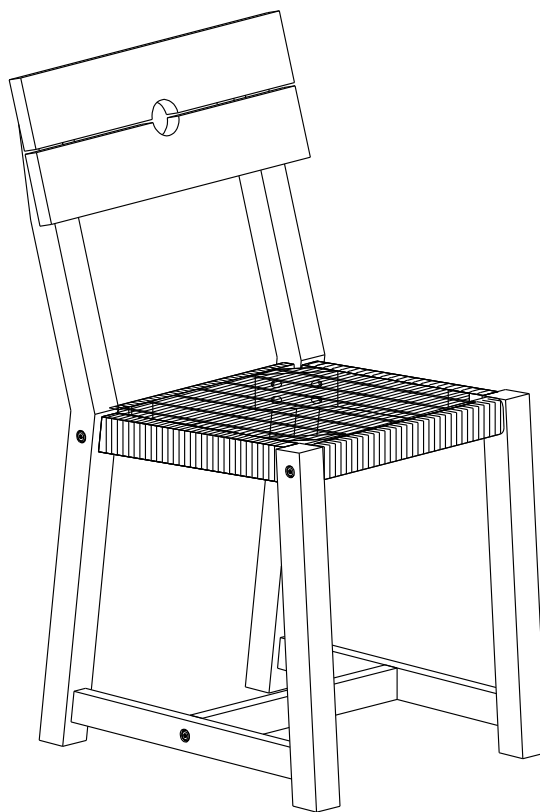


Oban Weave Dining Chair Assembly Instructions

Thank you for purchasing this Oban Weave Dining Chair. Please read the instructions carefully before use to ensure safe and satisfactory operation of this product

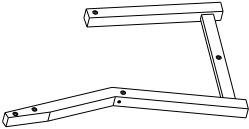
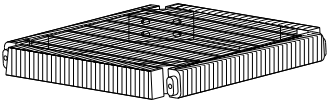
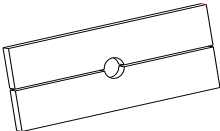
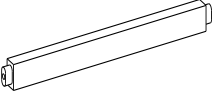


If you need help with assembly or missing parts please call our customer care team on: 01344 578 000
9am-5pm Monday to Friday.



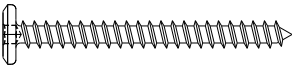

Component Parts

Please check if you have all the parts as listed below. **Note.** The quantities below are the correct amount to complete the assembly. In some cases more fittings may be supplied than are required.

Component Check list

A		Side Frame x 2
B		Seat x 1
C		Seat Back x 1
D		Cross Bar x 1

Hardware Check list

E		6x70 Bolt x 4
F		6 x 50 bolt x6
G		6x80 F-Screw x2
H		Hex Key x 1

Assembly Requirements

Number of people required to assemble	2
Approximate assembly time	40 minutes

If you need help with assembly or missing parts please call our customer care team on: 01344 578 000
9am-5pm Monday to Friday.

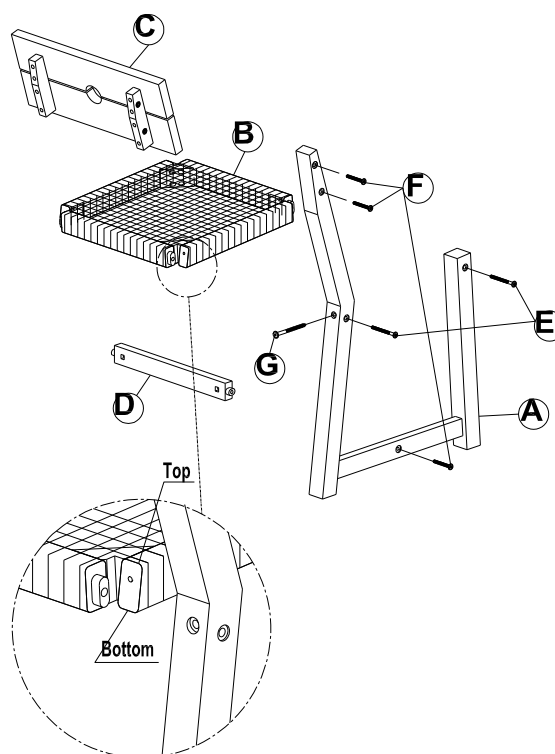
Assembly Instructions

Step 1

Place the Chair on a flat, clean, dry & smooth surface that will not scratch the furniture.

Attach the Seat Back (C) to the Side Frame (A) by using 2 x Bolt (F). Tighten the bolts by using the Hex Key (H), but **DO NOT** fully tighten the bolts at this stage

Attach the Seat (B) and the Cross Bar (D) to the Side Frame (A) by using 2 x Bolt (E); 1 x bolt (F) and 1 x Screw (G). Tighten all the bolts using the Hex Key (H)

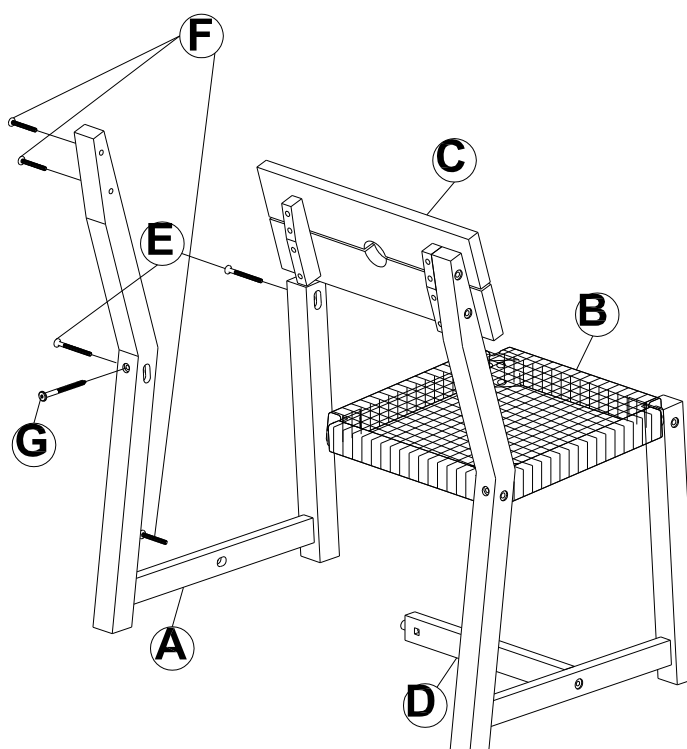


Step 2

Align the remaining Side Frame (A) with the constructed frame as shown in the diagram.

Use 2 x Bolt (F) to connect the Seat Back (C) to the Side Frame (A)

Use 2 x Bolt (E) and 1 x Screw (G) to connect the Side Frame (A) to the Seat (B), then use 1 x bolt (F) to connect side frame (A) to Cross bar (D). Tighten all the bolts using the Hex Key (H)



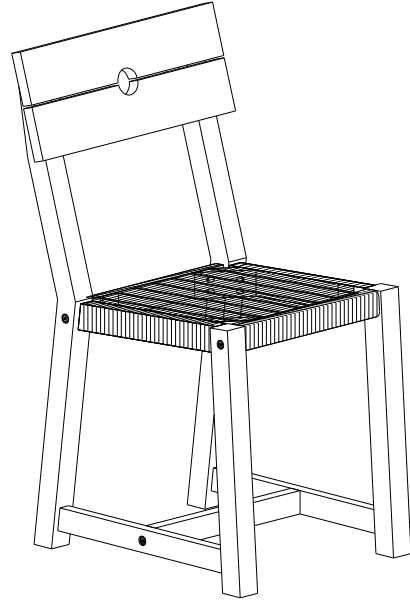
If you need help with assembly or missing parts please call our customer care team on: 01344 578 000
9am-5pm Monday to Friday.

Assembly Instructions

Step 3

Ensure that all bolts and screws are fully tightened.

The chair is now ready to use.



If you need help with assembly or missing parts please call our customer care team on: 01344 578 000
9am-5pm Monday to Friday.

Wood Furniture

This product is made from Eucalyptus FSC and has been painted and sealed with PU paint, suitable for outdoor use.

Wood displays different grain patterns depending on which way they cut-for example, the 'medullary ray' which can appear on oak furniture is a mark of good quality timber- these are just characteristics of the natural beauty of the wood. Some furniture is also deliberately aged and rustic.

All timber surfaces will change colour and mellow overtime. New furniture will initially vary in shade from items that have been previously purchased.

Safety and Care Advice

To extend the product life and appearance it is advisable to store the furniture in a cool dry place over winter or during periods of unseasonal weather. Ensure that the furniture is clean and completely dry before putting into storage. **DO NOT** enclose the product in a plastic or other non-permeable material as this promotes the growth of mildew and mould. Cover it with adjust sheet or furniture cover allowing the air to circulate around it

In order to enhance the life of your bench clean regularly with a very mild warm soapy solution to remove dirt and grease and acidic animal droppings. Do not use strong detergents. Do not jet spray the furniture to avoid damaging the paint finish. You may experience some minor surface cracking as the timber expands and contracts in times of changes of humidity but these will not affect the structural performance of your bench

Important safety note

- Never drag furniture when moving it, always lift it.
- Periodically check all fixings to ensure none have come loose and re-tighten where necessary.
- Please take care when handling or moving the furniture as careless handling may cause damage or injury
- Ensure that the furniture is always on a solid and level surface and the legs are in contact with the ground at all times.

Do NOT:

- Use the chair as a ladder
- Stand or jump on the chair
- Sit on back of the chair

PLEASEKEEPTHESEINSTRUCTIONSFORFUTUREREFERENCE

If you need help with assembly or missing parts please call our customer care team on: 01344 578 000
9am-5pm Monday to Friday.