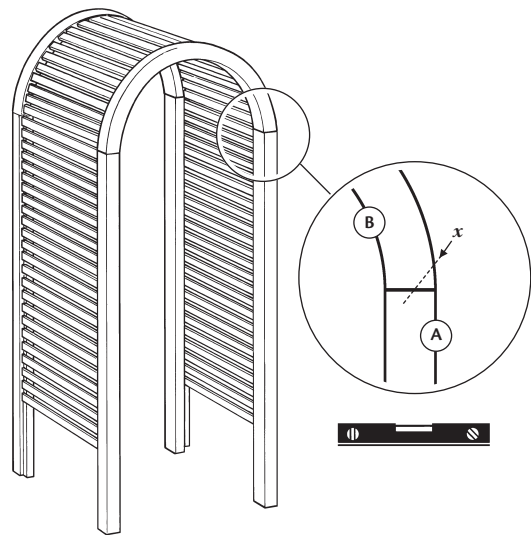


**ASSEMBLY**  
(cont.)

Finally, using the four 10cm screws [x], one per post, secure the Roof Section to the Side Sections.

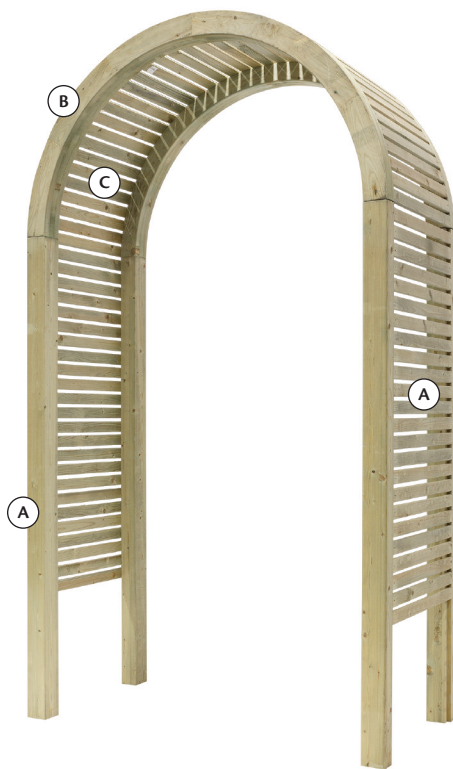
Lift the assembled structure ensuring it is level and upright.

Note. see instructions inside for siting your arch.



**CONTEMPORARY ARCH**

- (A) SIDE PANELS
- (B) ROOF BEAMS
- (C) ROOF SLATS



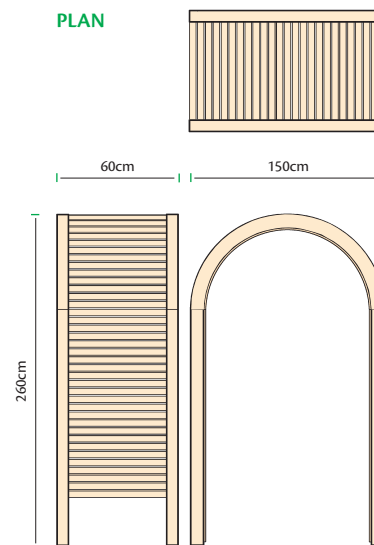
**Grange**  
DEFINING GARDENS

**CONTEMPORARY ARCH**

CONTARCH - 260cm [H] x 150cm [W] x 60cm [D]

Self-Assembly required | Home Delivery available | Pre-Painted available

**PLAN**



CODE: CONTARCH

©2015 Grange Fencing Ltd All rights reserved.  
In line with the Company's policy of continuous product development, the right is reserved to change and improve product design without prior notice.

All products and related emblems featured are trademarks of Grange Fencing Ltd.

[www.grangefen.co.uk](http://www.grangefen.co.uk)



**AFTERCARE**

To ensure longevity of your structure it is recommended that it is treated with a wood preservative on a yearly basis.

Thank you for choosing this garden product from Grange.  
In order to gain the most benefit from it please read the following instructions carefully.

**TOOLS REQUIRED** (Not Supplied)

- POWER DRILL/SCREWDRIVER with posidrive No.2 bit
- 3mm DRILL FOR PILOT HOLES
- STEPLADDER
- WOODEN MALLET

**PARTS LIST**

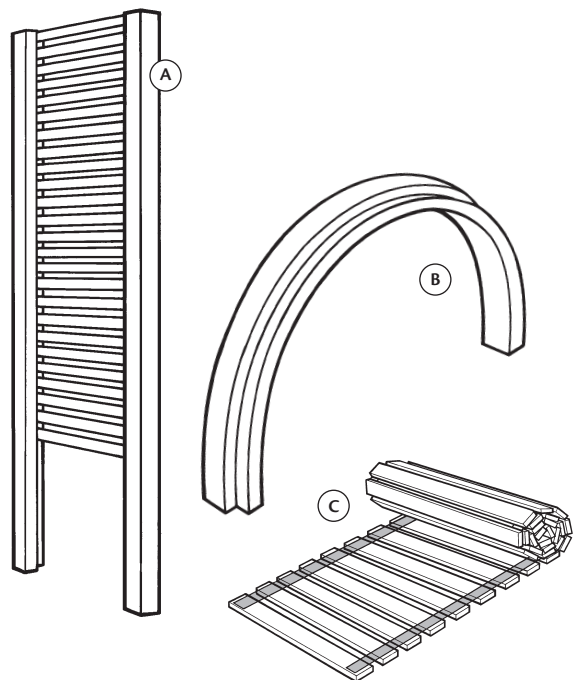
<b>A</b>	SIDE SECTIONS [146cm x 60cm]	2
<b>B</b>	CURVED ROOF BEAMS	2
<b>B</b>	ROOF SLATS STRIP	1

**HARDWARE PACK**

<b>[x]</b>	SCREW - 10cm	4
<b>[y]</b>	SCREWS - 3.5cm	82
<b>[z]</b>	WOODEN DOWELS	8

**OPTIONAL HARDWARE** (Not Supplied)

- BOLT DOWN OR SPIKE POST ANCHORS
- CARLTON FP-ECO FIX CONCRETE MIX



**BEFORE YOU START**

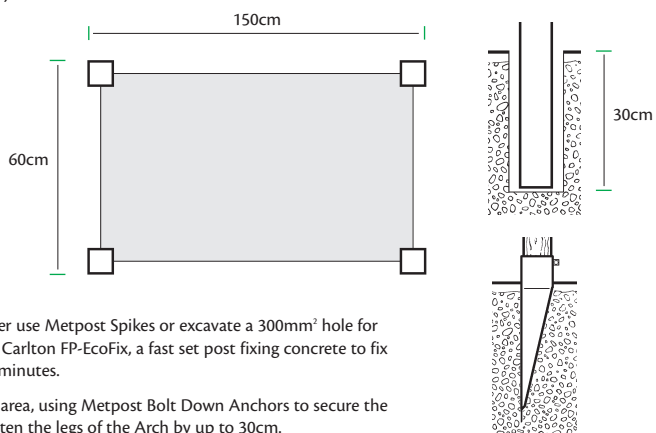
Please check the packs and make sure that you have all of the parts listed above. If not, contact your retailer who will be able to help you.

When you are ready to start make sure you have the right tools to hand, plenty of space and a clean dry area for assembly.

It is advisable for two people to carry out the work.

At each stage of construction ensure that the build is level and upright.

Drill pilot holes to aid assembly.



**ARCH FOOTPRINT**

Footprint of assembled arch is 150cm x 60cm

If bedding your Arch in the ground, either use Metpost Spikes or excavate a 300mm hole for each post. We recommend that you use Carlton FP-EcoFix, a fast set post fixing concrete to fix your posts. Easy to use, it sets in just 10 minutes.

If siting your Arch on a patio or decking area, using Metpost Bolt Down Anchors to secure the posts, then it might be advisable to shorten the legs of the Arch by up to 30cm.

**ASSEMBLY**

**STEP 1 ASSEMBLING THE ROOF SECTION**

Take the two Curved Roof Beams [B] and put them side by side on the ground approximately 60cm apart with the grooved sides facing each other.

Then unroll the Roof Slats Strip [C] and lay this over the top of the two roof beams so that it fits snugly into the grooves on each side - see Fig.1

This can now be fixed to the beams using the screws [y], two screws per roof slat, one either side.

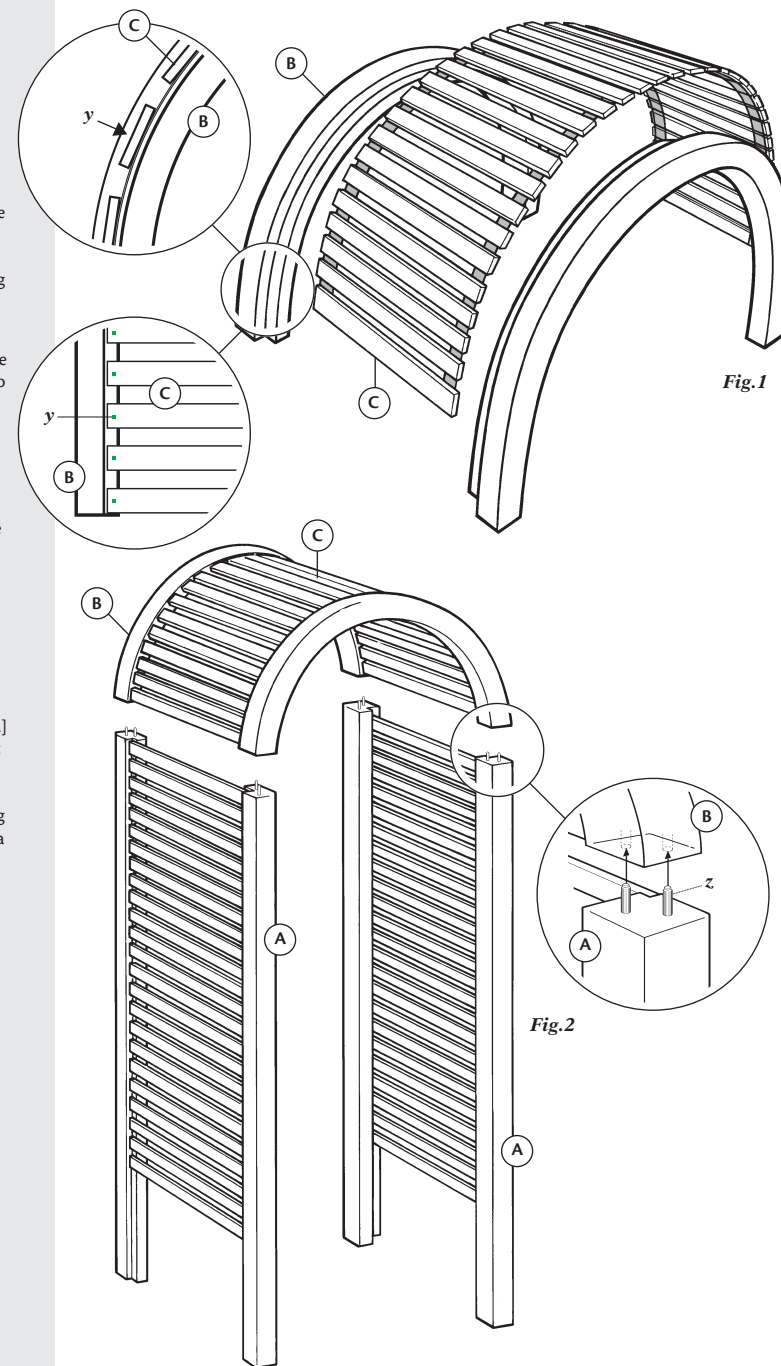
Your roof section is now assembled.

**STEP 2 ASSEMBLING THE ARCH**

Lay the two Side Sections [A] on the ground 150cms apart and insert the eight wooden dowels [z], into the holes at the top of each post, tapping them firmly into place with a wooden mallet.

Then connect the Roof Section to the Side Sections, aligning the holes for the dowels and gently pushing into place - see Fig.2

continued overleaf.



CONTEMPORARY ARCH

CONTARCH

