

innovators

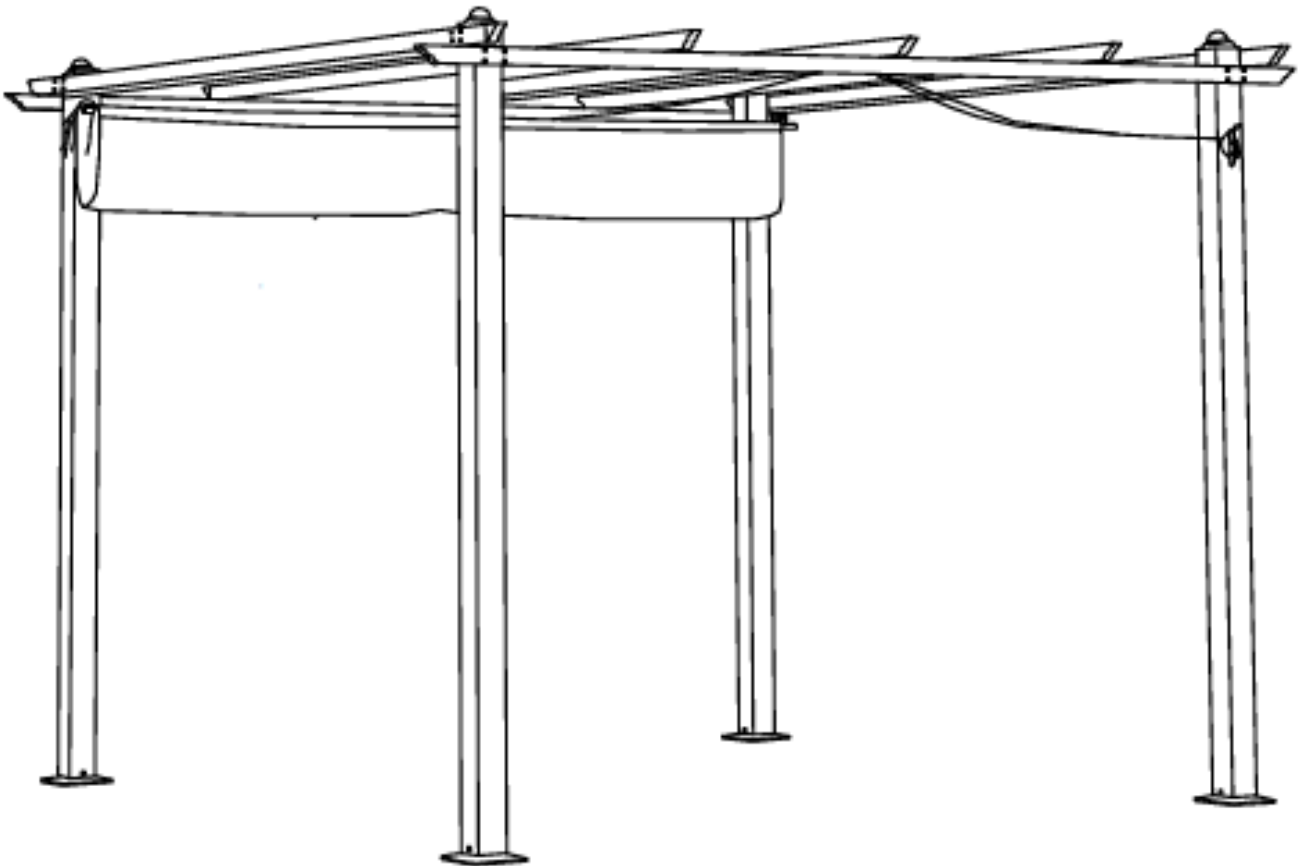
— international —

Congratulations on purchasing your new Majestique pergola.

Attached are the instructions to building this pergola.

Please study the instructions carefully before starting.

We hope you enjoy using this pergola.



ASSEMBLY INSTRUCTION

DESCRIPTION:

3X3 PERGOLA

YF-3809

60 Minutes

APPROXIMATE ASSEMBLY TIME

2 PERSON ASSEMBLY



FLOOR AREA

9 m²



REQUIRED ASSEMBLY SPACE



REQUIRED ASSEMBLY TOOLS (INCLUDED)

Parts

ASSEMBLED DIMENSIONS



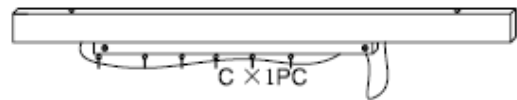
1 × 1PC



2 × 2PCS



3 × 1PC



C × 1PC



D × 2PCS



E × 2PCS



F × 2PCS



N × 2PCS



B × 1PC



Q × 46PCS



S × 18PCS



T × 16PCS



O × 32PCS



A × 4PCS



G × 14PCS



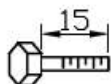
L × 6PCS



J × 1PC



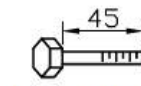
U × 4PCS



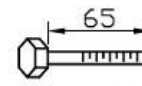
P1 × 8PCS



W × 1PC



P2 × 32PCS



P3 × 6PCS

innovators
— international —

ASSEMBLY INSTRUCTION

DESCRIPTION:

3X3 PERGOLA

YF-3809

Warnings!

- **COMPLETE SITE PREPARATION AND FOUNDATION CONSTRUCTION BEFORE UNPACKING ALL PARTS.**

A level and sturdy foundation is required before pergola construction can begin.

- Read instructions thoroughly prior to assembly.

This kit contains parts that can be damaged if assembled incorrectly or in the wrong sequence.

- Please follow instructions.
- Assistance is required.

Due to the size of the parts, at least two people are required to handle, fit and secure pergola components.

CAUTION!

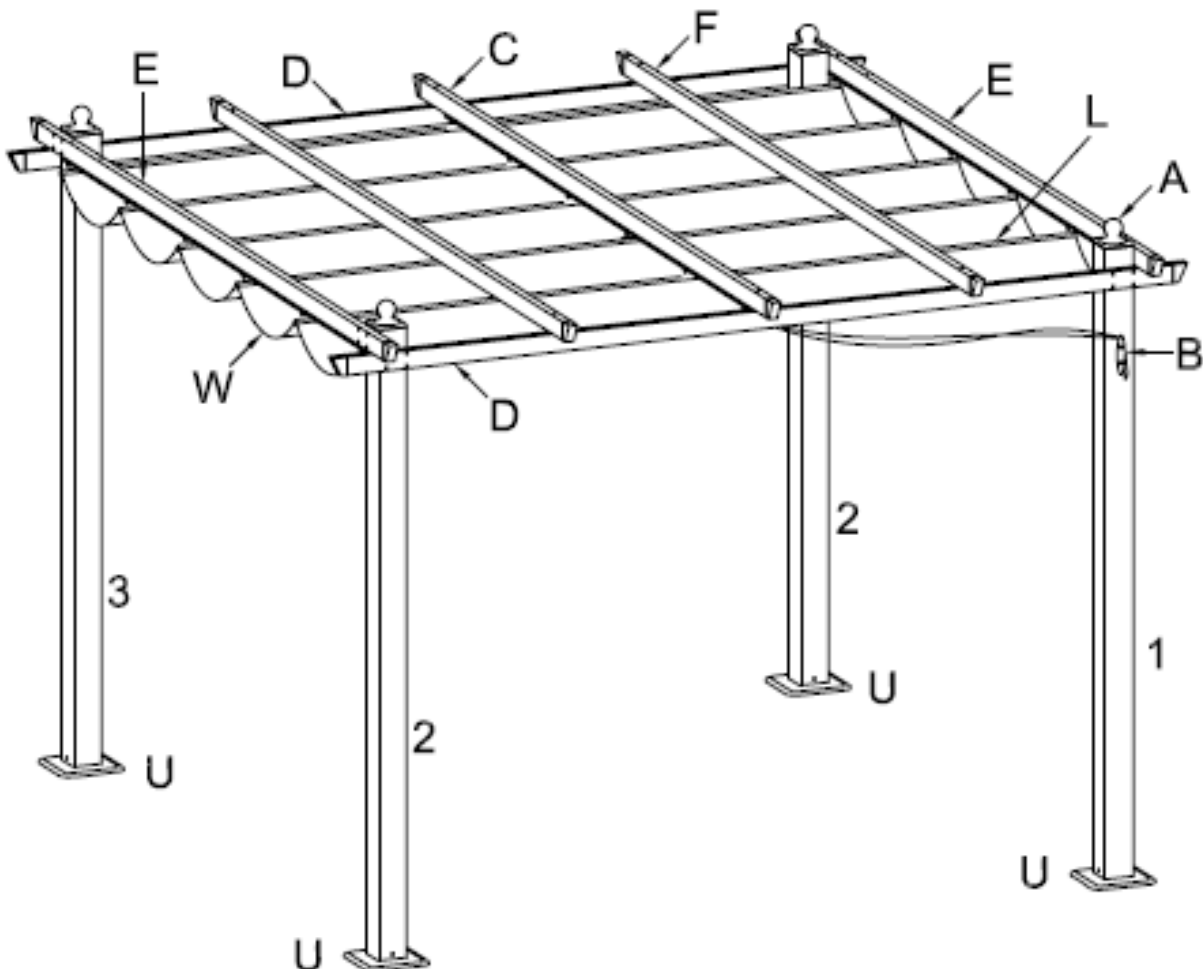
- Pergola not intended for use in extreme weather conditions.
- Do not stand, sit, or store items top of pergola.
- Handle carefully in extreme temperatures.
- Repair or replace broken parts immediately.
- The supplier is not responsible for damage caused by misuse.
- At regular intervals inspect your pergola to make sure that assembly integrity has been maintained.
- Avoid excess heat from any auxiliary source.
- Any additional holes drilled into parts could cause unsafe conditions.
- Follow manufacturer safety instructions when using ladder.
- Exercise caution using a lawn mower, edge trimmer or other yard equipment near pergola.

ASSEMBLY INSTRUCTION

DESCRIPTION:

3X3 PERGOLA

YF-3809



ASSEMBLY INSTRUCTION

DESCRIPTION:

3X3 PERGOLA

YF-3809

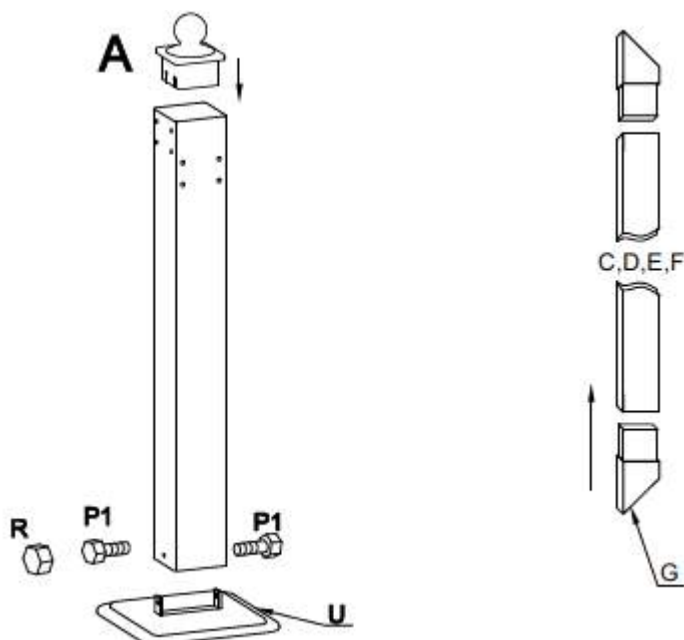
STEP 1

Attach the base to each of the four upright posts by bolting P1 into the bracket fixed onto the base plate (U).

Ensure to fit the end caps (R) to the head of each bolt after fastening.

Push the top sphere component (A) down, into each of the four upright posts. Once it can be pushed no further, it is secured in place.

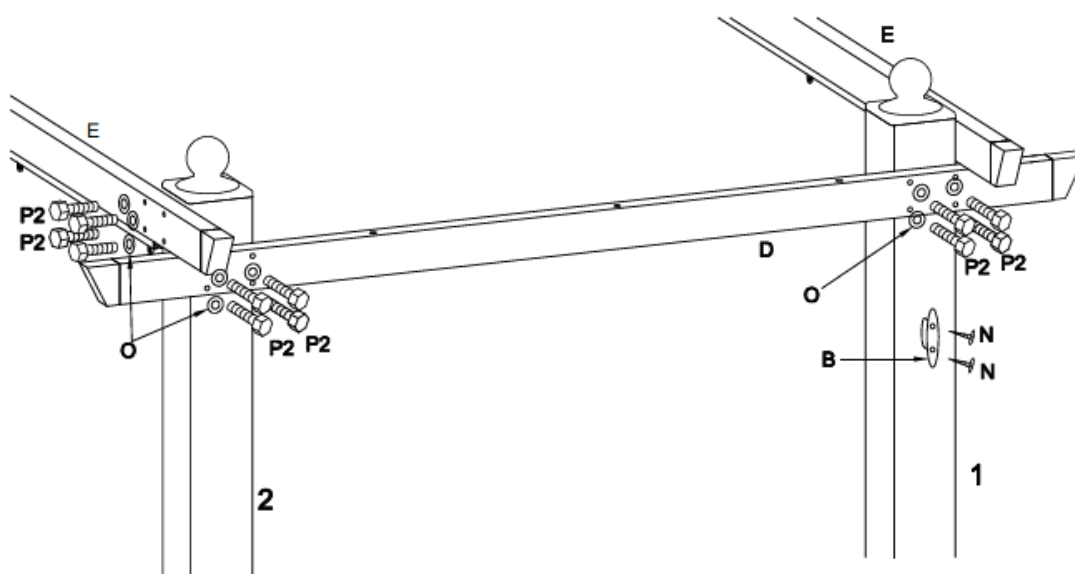
Next, build the horizontal slats for the canopy frame by sliding the triangular part (G) to each end of parts C, D, E and F. Ensure all parts are slotted together fully and securely.



STEP 2

Bolt together the canopy frame to the upright posts, as shown, using bolts P2. Ensure to place a washer through the bolt first.

Fix the cable hook (B) to component 1 by using screws N.



innovators
— international —

ASSEMBLY INSTRUCTION

DESCRIPTION:

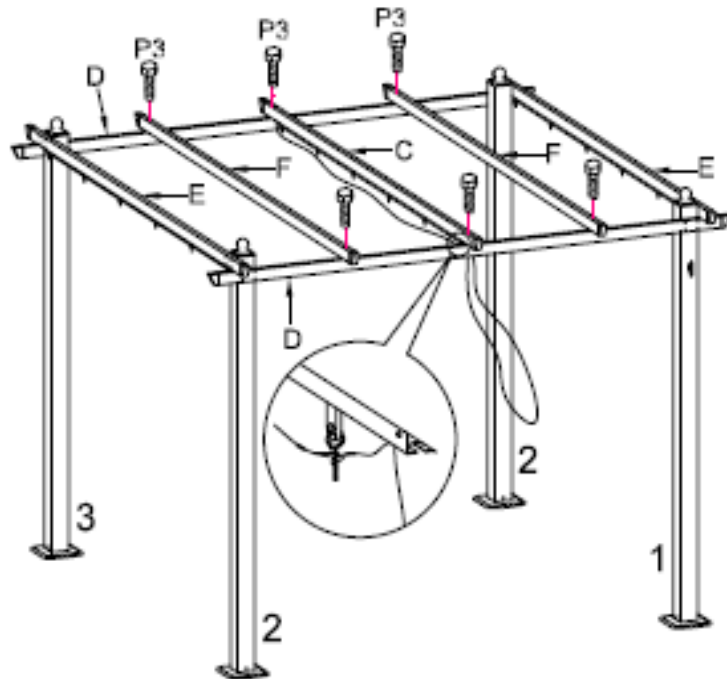
3X3 PERGOLA

YF-3809

STEP 3

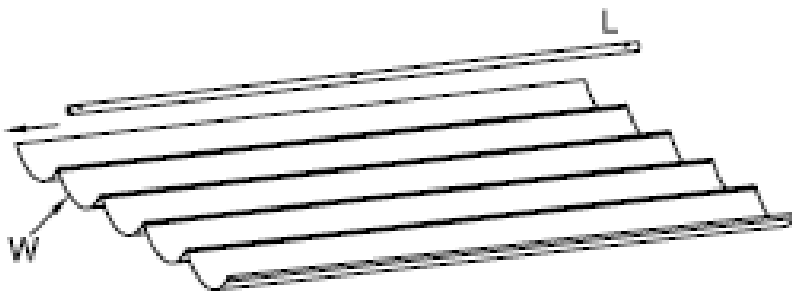
Next, bolt each of the roof slats (2xE, 2xF and C) on either side, to the canopy frame using bolts P3.

Ensure the cable is wrapped around the hook and threaded through the hole on component C.



STEP 4

Take the support rods (L) and slide them into the sleeves of the fabric canopy (W).



ASSEMBLY INSTRUCTION

DESCRIPTION:

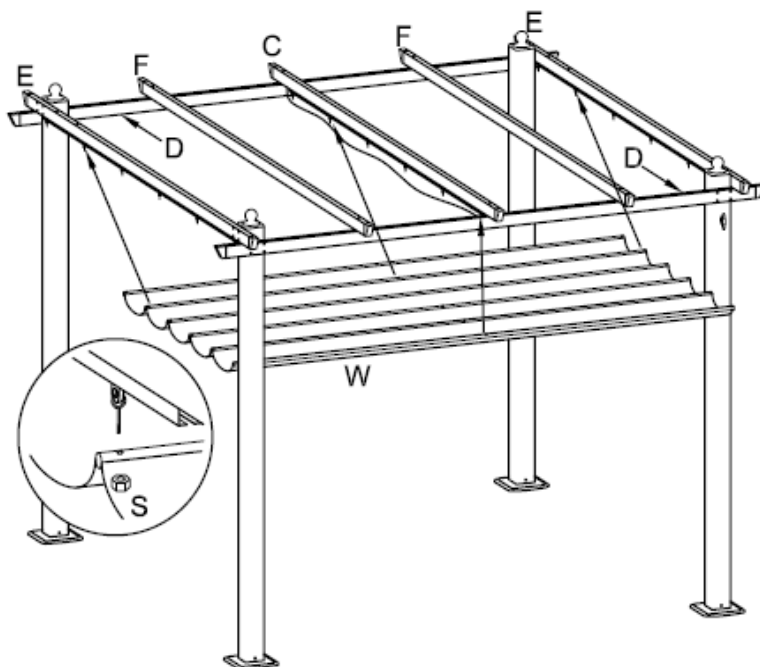
3X3 PERGOLA

YF-3809

STEP 5

Attach the support rods to the canopy frame by threading the hooks on the horizontal beams through the holes in the support rod and fasten together with nut (S).

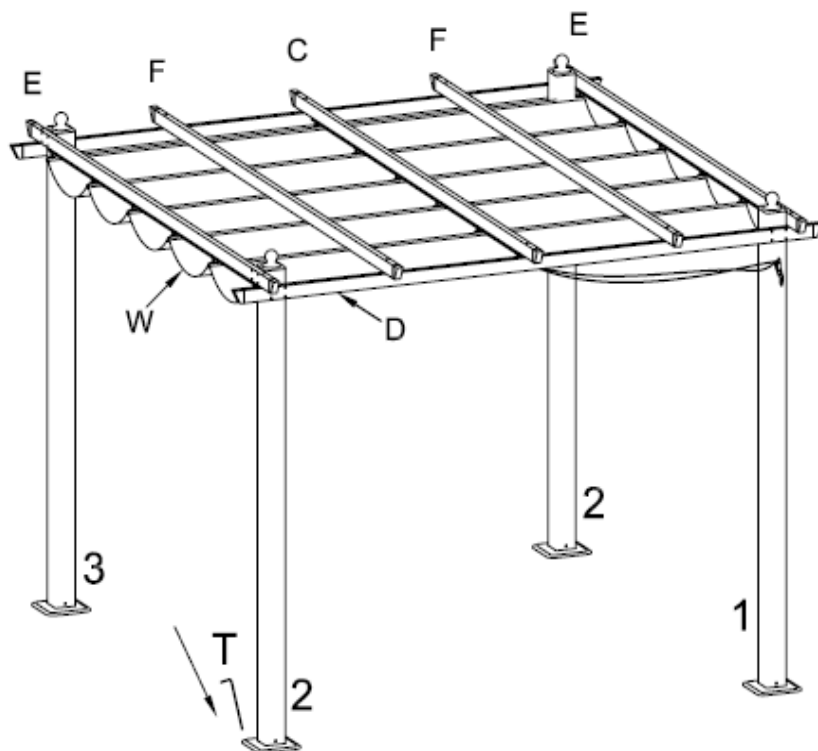
Do this for components E and C.



STEP 6

Fix the base plates in place by using the pins (T) provided. Only complete this step if the pergola is being assembled on grass or soft ground.

These pins will not be suitable if the pergola is on concrete or patio. An alternative method to secure the base plates should be used.



innovators
— international —