

Instruction Manual

Freestanding Electric Quartz Bulb Patio Heater w/ Remote Control

Model: OL1850

Please read these instructions carefully before using your new heater.



Heater – Electric Heater OL1850 (26.06.2025)

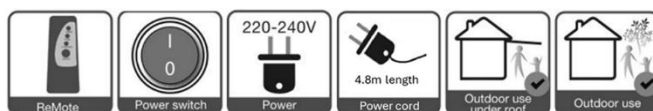
Safety Instructions

Only use the patio heater on a solid horizontal area where base is to contact with the floor. (This heater has an “auto cut off” safety feature which switches the heater off when tilted.)

- Remove the full unit from its packaging and check it is in good condition before assembling and operating.
- DO NOT let children play with plastic bags or other parts of the packaging.
- **⚠ CAUTION: Risk of Electric Shock.**
 - This appliance must be disconnected from its power source during assembly or servicing.
 - DO NOT use this heater in the immediate surroundings of a bath, shower or swimming pool or hot tub where it could fall into a container full of water.
 - DO NOT touch this heater, its controls or the electrical plug with wet hands.
 - DO NOT allow power cables to become immersed in water or other liquid.
 - DO NOT open or try to repair the heater by yourself. Servicing should be performed by the qualified personnel only.
 - Turn the heater off before unplugging it.
- In order to avoid overheating and potential fire hazard, DO NOT cover the heater under any circumstances. If the heater should become accidentally covered during operation, turn off immediately and clear out any foreign objects that have covered the heater or become lodged in the grill.
- DO NOT touch the heater when in use. Parts of the heater may exceed 200 °C during operation. Contact with the heater during operation may cause severe burns. DO NOT touch the heater when in use or for 20 minutes after operation. Wait until it is completely cool down.
- DO NOT use the heater if the power cord is damaged. This must be replaced by qualified person.
- DO NOT use the heater to ignite materials. DO NOT operate in locations containing gasoline, flammable liquids or other volatile substances.
- Do not use this heater near or pointing towards flammable objects within 1 meter or where curtains, towels or other flammable items can be blown onto the heater.
- DO NOT leave the heater operating unattended.
- IMPORTANT: Ensure supply voltage does not exceed 245 volts.

Technical Data

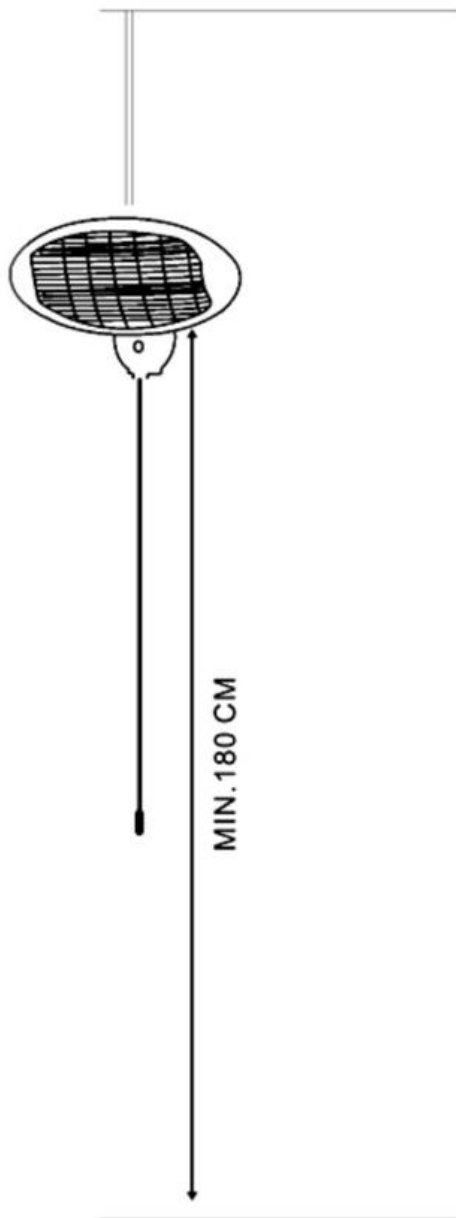
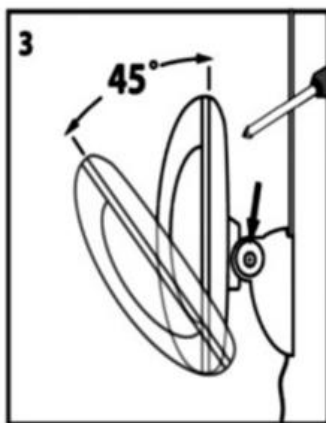
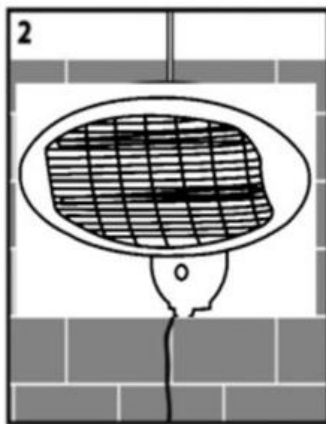
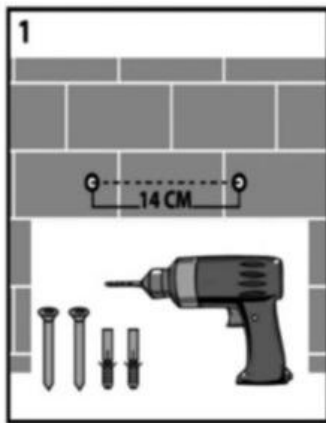
- Model: OL1850
- Voltage: 240 V ~50 Hz
- Wattage: max 2000W
- Weight: ~9 kg
- Height: 120cm - 210cm
- Cord length: 4.8 m
- Insulation class I



Heater – Electric Heater OL1850 (26.06.2025)

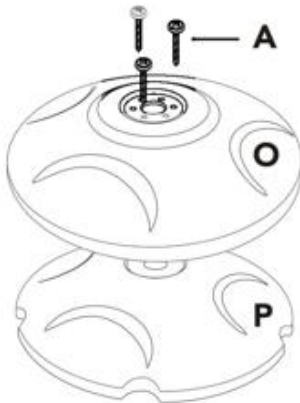


Installation – Wall mounted



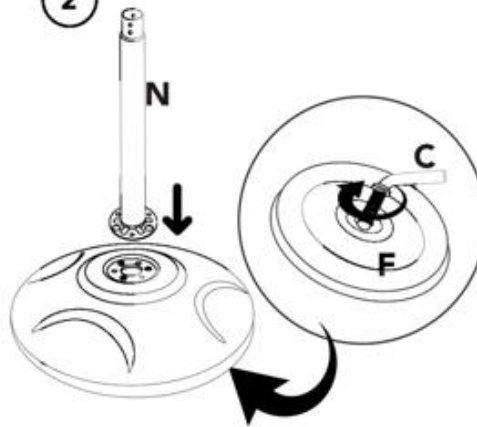
Installation – Free Standing

1



1. Secure the Base Plate (O) to the Base Weight (P) using a screwdriver (not supplied) and the 3 Base Screws (A).

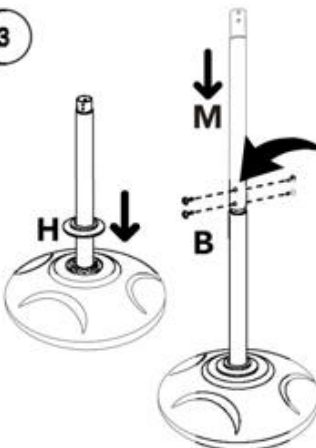
2



2. Once securely tightened, turn over the assembled Base Plate/Base Weight (O,P) and attach the Lower Pole (N) using the Torque Screw (C) and Base Washer (F). Turn clockwise to secure.

IMPORTANT: Ensure the Lower Pole (N) is adjusted so that the larger holes align with the heads of the Base Screws (A).

3

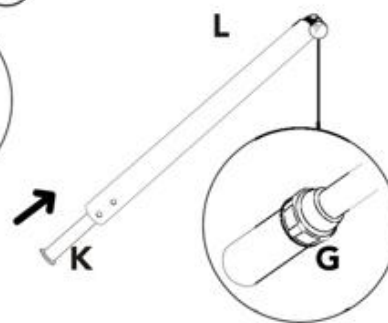


3. Place the Base Cap (H) over the Lower Pole (N) to enclose the Base Screws (A) and keep them weatherproof.

Using 4 M5X8 Screws (B), attach the Central Pole (M) to the Lower Pole (N) by aligning the 4 holes. Ensure the Screws are tightened for stability.

Slide the Cable Clip (E) over the Central Pole (M) and position at the required height before tightening the small screw to secure in place.

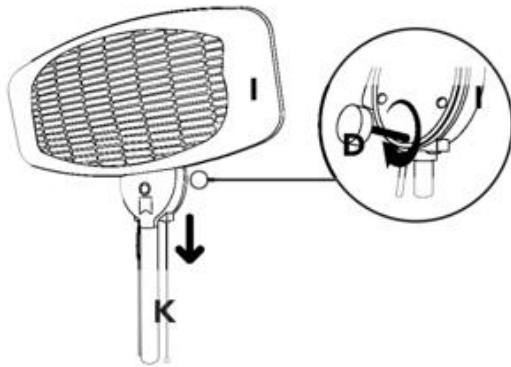
4



4. Insert the Extending Pole (K) into the Top Pole (L), making sure that the end appears through the threaded ring. Screw on the Extending Lock (G).

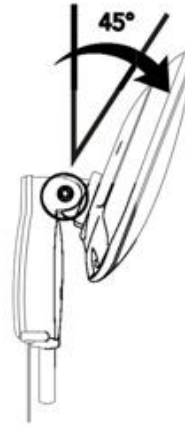
NOTE: Do not overtighten as this may damage the thread. Attach the assembled components (K,L,G) to the Central Pole (M) using the 4 remaining M5X8 Screws (B).

5



5. Position the Heater Head (I) onto the end of the Extending Pole (K) and lock into place with the Heater Head Locking Bolt (D). Turn clockwise to secure.

6



6. Before plugging in the Patio Heater, adjust the angle of the Heater Head (I) by unscrewing the nut on the side (circled). Slightly pull the Heater Head forward or push it back to the angle preferred. Tighten to secure in the desired position.

Key points for use and operation

- Connect the power cable to a 13amp supply that is located in a safe, dry area.
- The Remote Control is used to control the setting of the unit:
 - ON/OFF
 - 650W
 - 1350W
 - 2000W
- Although the patio heater is showerproof, do not use when raining or in wet conditions.
- Always disconnect the power cable from the electrical supply, when heater is not in use.

Indicator	Power
	ON/OFF
	650W
	1350W
	2000W

Remote Control



Care and maintenance

When disconnected from the electrical supply, clean the outside of the patio heater with a damp cloth. Never use corrosive or solvent cleaners or immerse in water. Any maintenance or repairs including replacing the quartz tube should only be carried out by a qualified electrician or by a recommended service provider.

Responsible disposal



This symbol indicates that this product should not be disposed of with general household waste. This applies throughout the entire EU. In order to prevent any harm to the environment or health hazards caused by incorrect waste disposal, the product must be handed in for recycling so that the material can be disposed of in a responsible manner. When recycling your product, take it to your local collection facility or contact the place of purchase. They will ensure that the product is disposed of in an environmentally sound manner.

Primrose

info@primrose.co.uk

Tel.: 0118 9035210 (UK)

Tel.: +44 118 9035210 (outside of UK)



Heater – Electric Heater OL1850 (26.06.2025)

Cercis Ltd info@primrose.co.uk
Nursery Court www.primrose.co.uk
London Road
Windlesham
GU20 6LQ



Safety Requirements Statement

- *Do not use this heater with a programmer, timer, separate remote-control system or any other device that switches the heater automatically, since a fire risk exists if the heater is covered or positioned incorrectly*
- *Do not use this heater if it has been dropped*
- *Do not use this heater if there are visible signs of damage to the heater*
- *Do not use the heater in small rooms when they are occupied by persons not capable of leaving the room on their own, unless constant supervision is provided*
- *Children of less than 3 years should be kept away unless continuously supervised*
- *Children aged from 3 years and less than 8 years shall only switch on/off the appliance provided that it has been placed or installed in its normal operating position and they have been given supervision or instruction concerning the use of the appliance in a safe way and understand the hazards involved. Children aged from 3 and less than 8 years shall not plug in, regulate and clean the appliance and perform user maintenance CAUTION – Some parts of this product can become very hot and cause burns. Particular attention has to be given where children and vulnerable people are present.*

Heater – Electric Heater OL1850 (26.06.2025)

